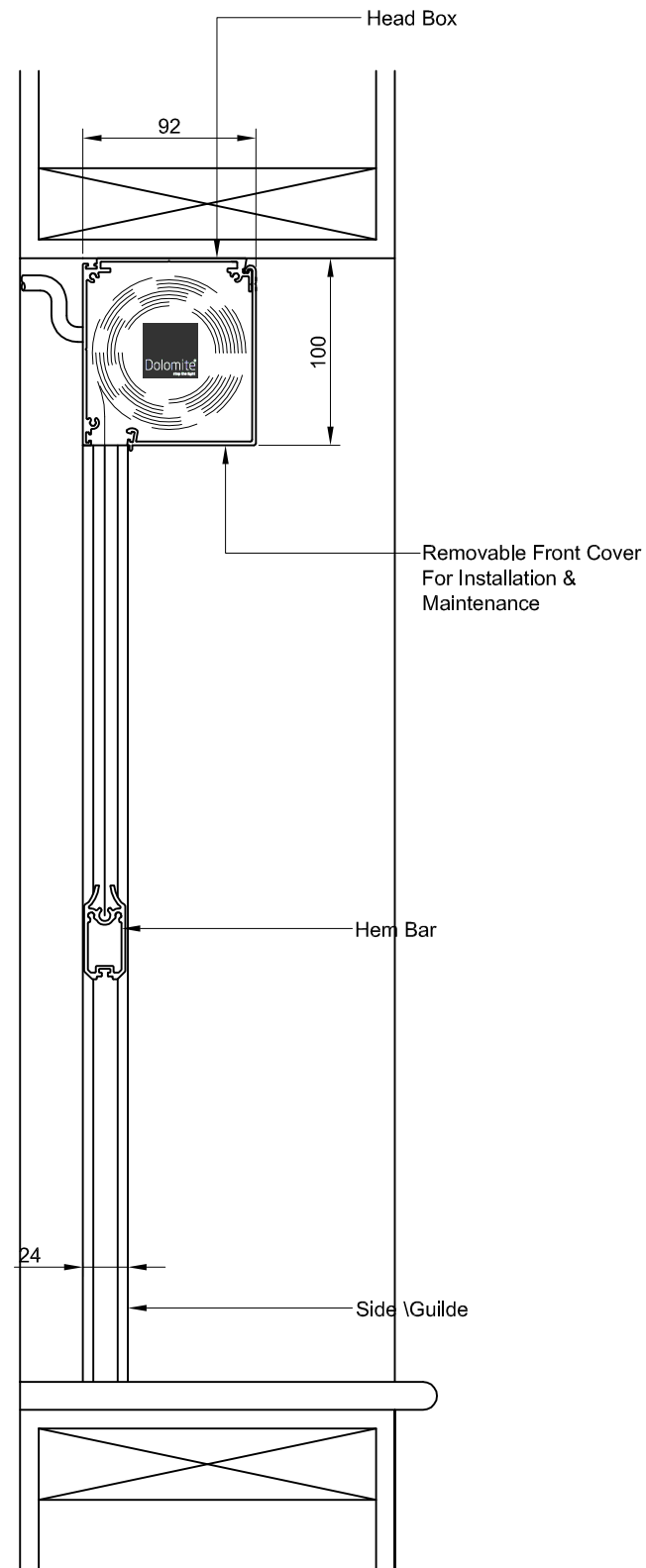
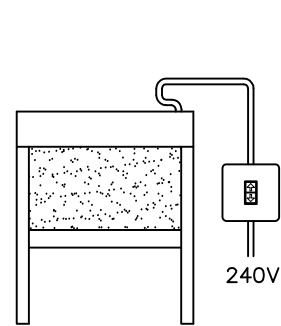


Revision	Description	Date
----------	-------------	------

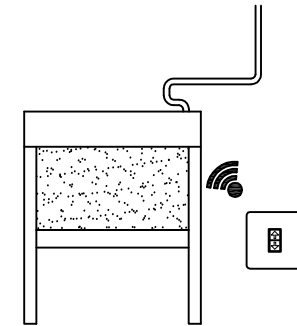
HEADBOX & GUIDE COLOURS AVAILABLE	
RAL9016 TRAFFIC WHITE	STANDARD OPTION
RAL 9005 JET BLACK	STANDARD OPTION
CUSTOM RAL	CUSTOM OPTION



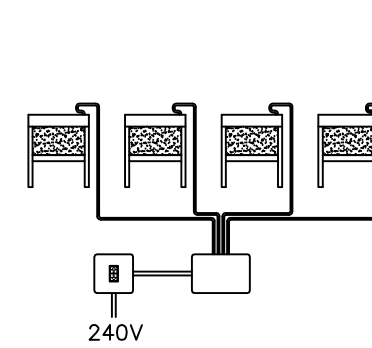
CONTROL OPTIONS



Single Switch



Remote Control



Group Control



0845 382 2000
 info@aluzion.co.uk
 www.aluzion.co.uk

Product Name	DOLOMITE BLIND ®	
Client	
Architect	
Drawing Title	SIDE ELEVATION -REVEAL FIX - MOTORISED OPERATION	

Scale(s)	Date	
1 : 4 @ A3	30.06.22	
Drawn By	Checked By	Approved By
DK	MW	
Project Reference	Drawing No	Rev
	DLR006	00