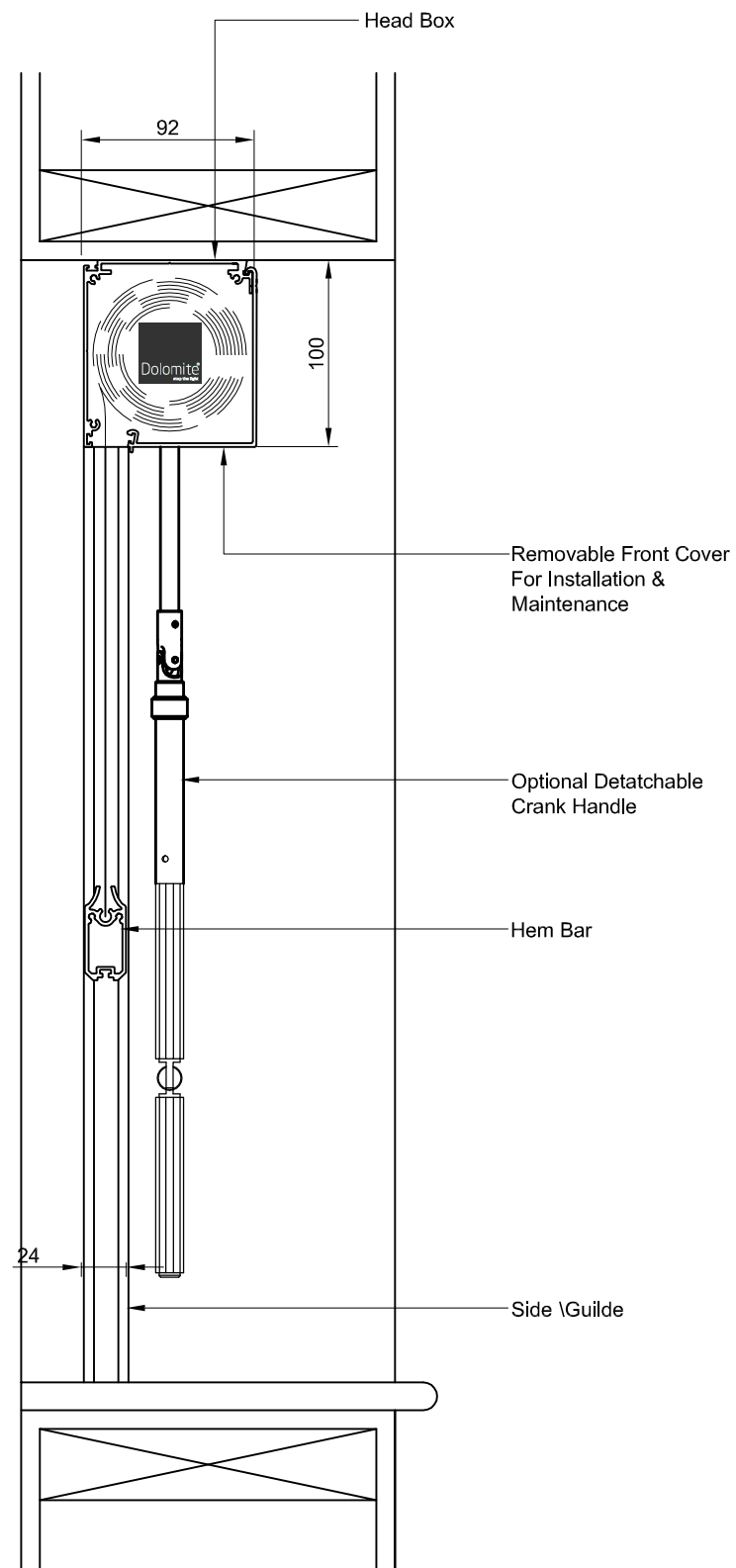
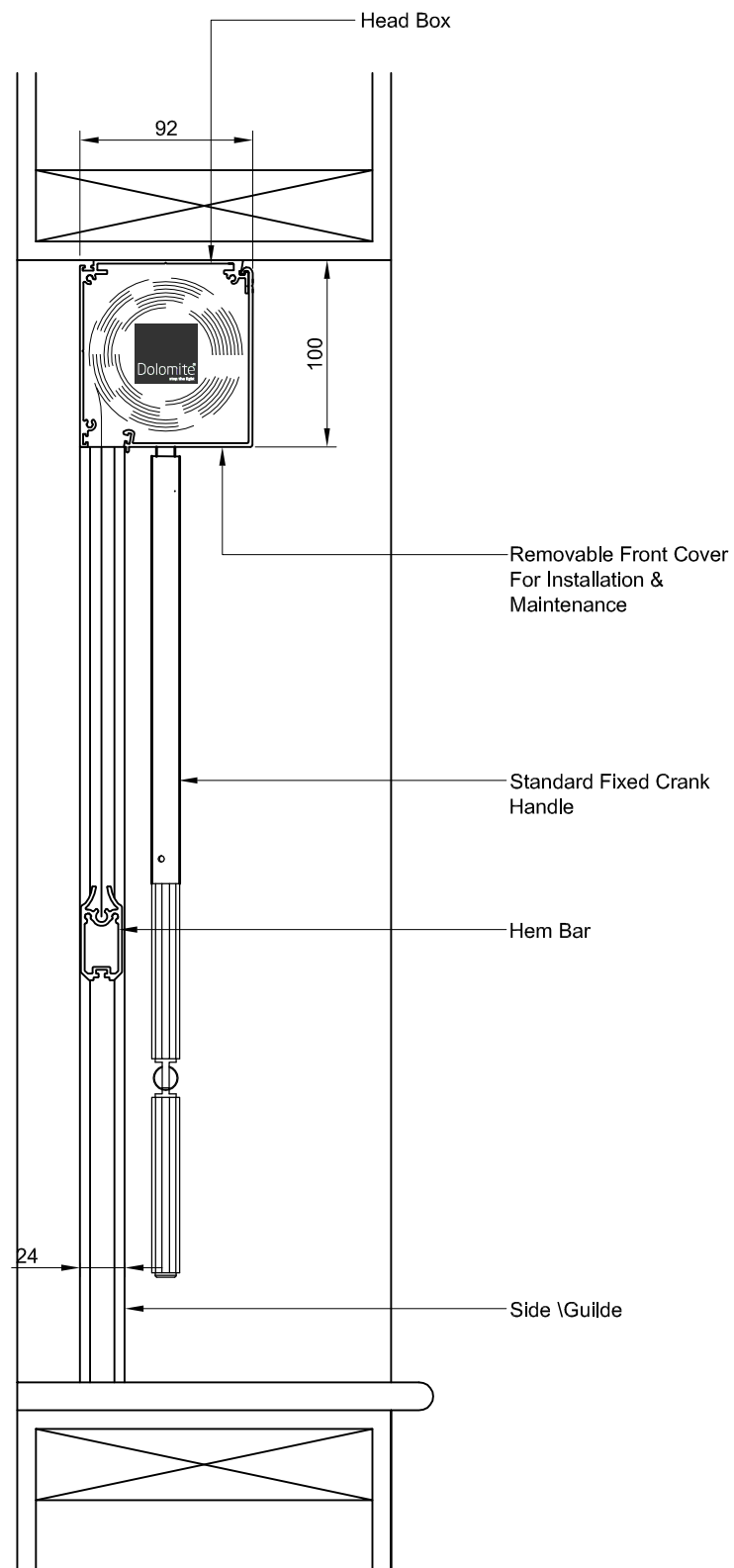


Revision	Description	Date
----------	-------------	------

HEADBOX & GUIDE COLOURS AVAILABLE	
RAL9016 TRAFFIC WHITE	STANDARD OPTION
RAL 9005 JET BLACK	STANDARD OPTION
CUSTOM RAL	CUSTOM OPTION



0845 382 2000
 info@aluzion.co.uk
 www.aluzion.co.uk

Product Name
DOLOMITE BLIND ®

Client

Architect

Drawing Title

**SIDE ELEVATION -REVEAL FIX -
 CRANK HANDLE OPERATION**

Scale(s)	Date	
1 : 4 @ A3	30.06.22	
Drawn By	Checked By	Approved By
DK	MW	
Project Reference	Drawing No	Rev
	DLR002	00