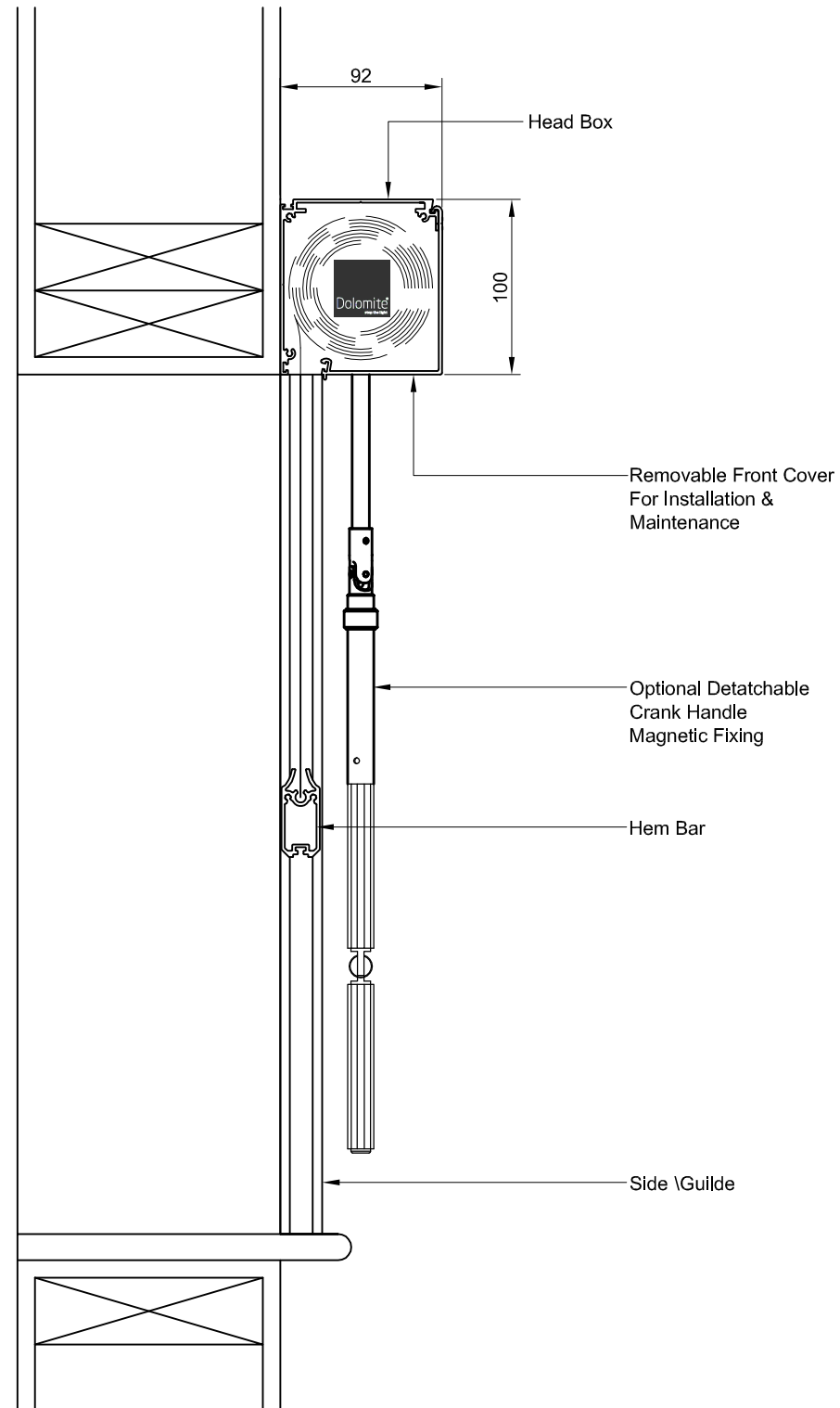
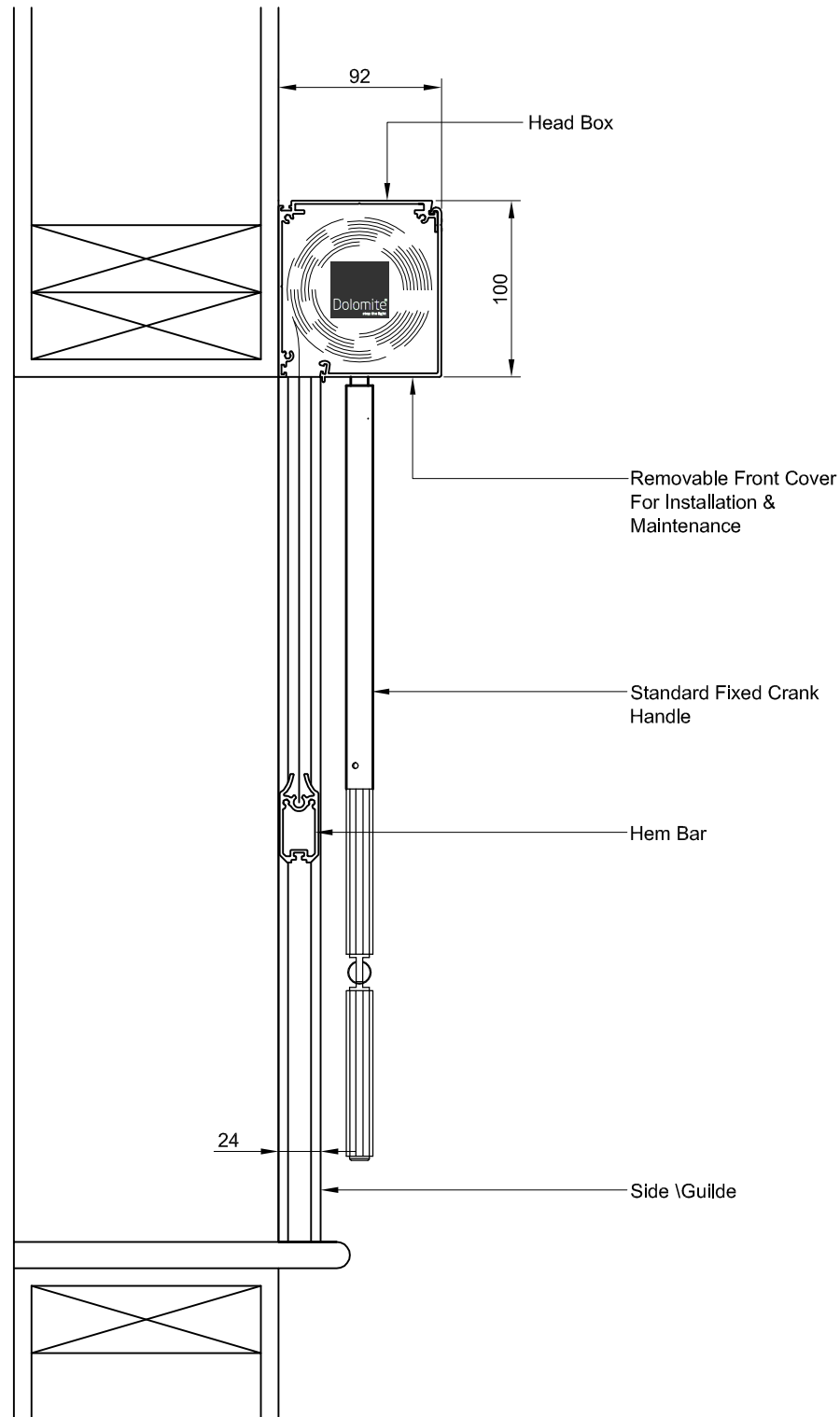


Revision	Description	Date
----------	-------------	------

HEADBOX & GUIDE COLOURS AVAILABLE	
RAL9016 TRAFFIC WHITE	STANDARD OPTION
RAL 9005 JET BLACK	STANDARD OPTION
CUSTOM RAL	CUSTOM OPTION



0845 382 2000  
 info@aluzion.co.uk  
 www.aluzion.co.uk

Product Name  
**DOLOMITE BLIND ®**

Client  
 .....

Architect  
 .....

Drawing Title

**SIDE ELEVATION -FACE FIX -  
 CRANK HANDLE OPERATION**

Scale(s)	Date	
<b>1 : 4 @ A3</b>	<b>30.06.22</b>	
Drawn By	Checked By	Approved By
<b>DK</b>	<b>MW</b>	
Project Reference	Drawing No	Rev
	<b>DLR001</b>	<b>00</b>