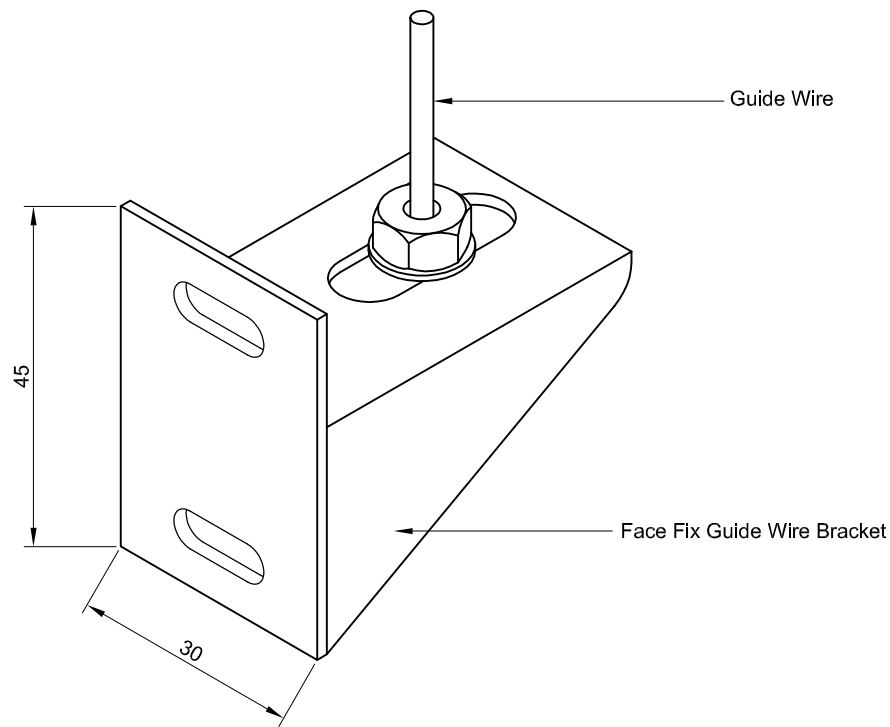


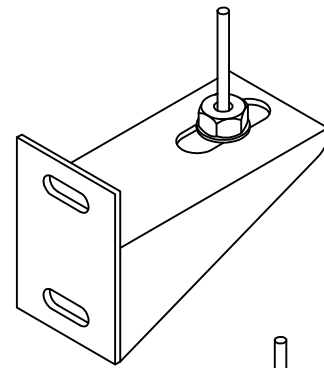
Revision	Description	Date
----------	-------------	------

BRACKET AND ALUMINIUM HEMBAR OPTIONS	
RAL7016 ANTHRACITE	STANDARD OPTION
CUSTOM RAL	CUSTOM OPTION

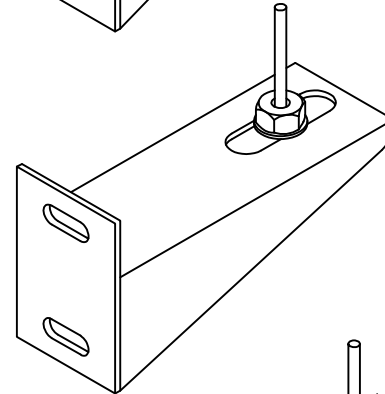


48mm GUIDE WIRE BRACKET

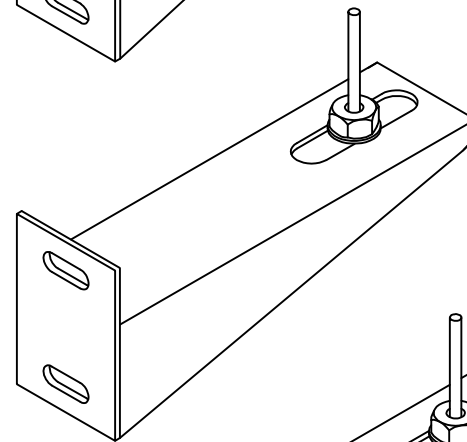
65mm GUIDE WIRE BRACKET



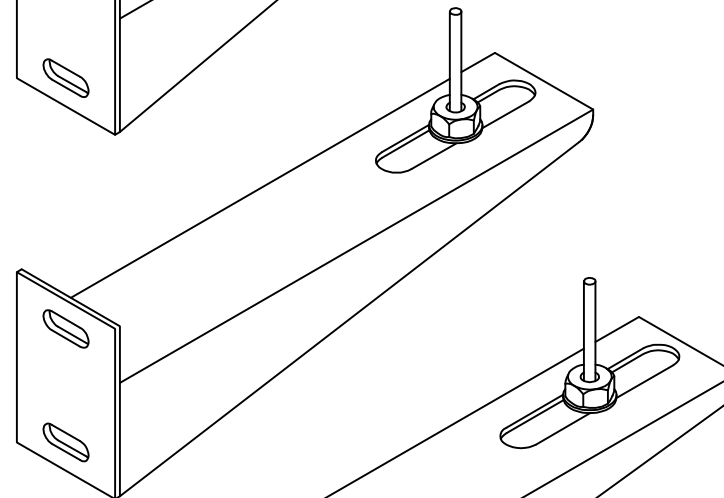
85mm GUIDE WIRE BRACKET



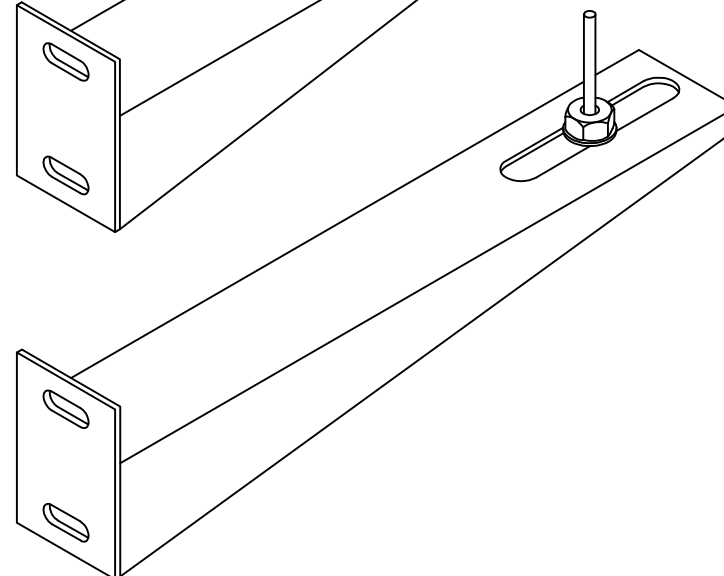
110mm GUIDE WIRE BRACKET



146mm GUIDE WIRE BRACKET



190mm GUIDE WIRE BRACKET



0845 382 2000
 info@aluzion.co.uk
 www.aluzion.co.uk

Product Name	COLLEGE BLIND ®
Client
Architect

Drawing Title
FACE FIX GUIDE WIRE BRACKET DETAILS

Scale(s)	Date	
N.T.S.	30.06.22	
Drawn By	Checked By	Approved By
DK	MW	
Project Reference	Drawing No	Rev
	CLB 010	00