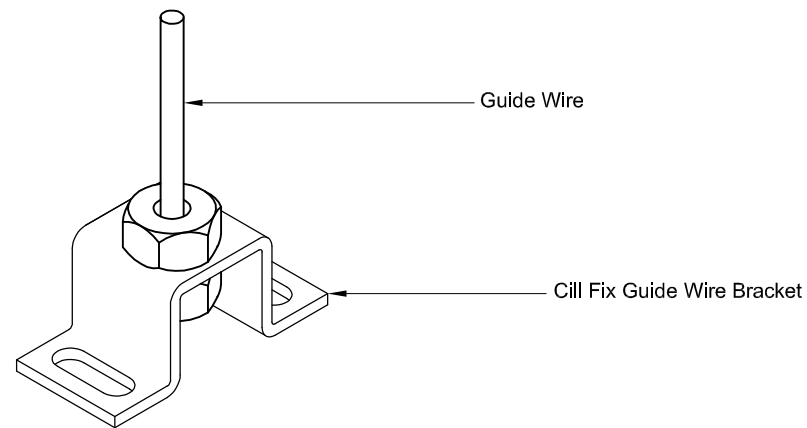
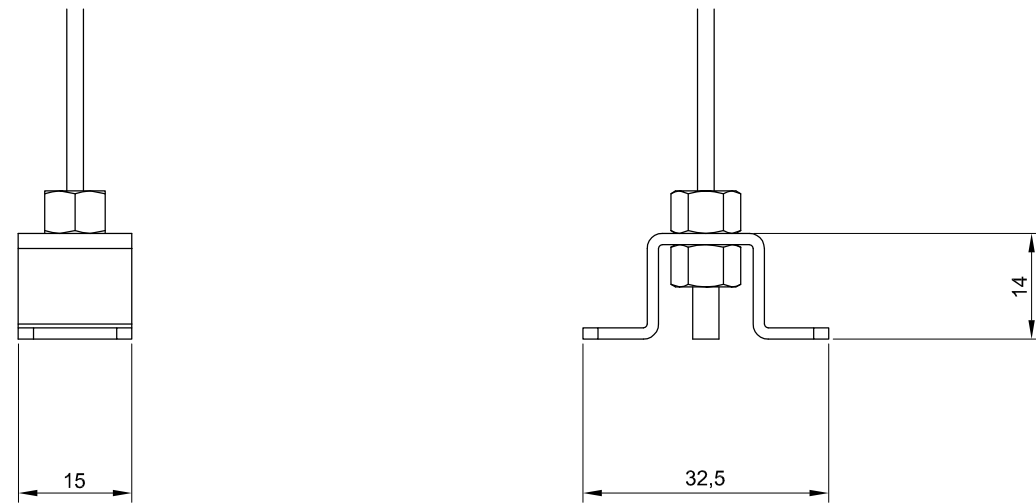


Revision	Description	Date
----------	-------------	------

BRACKET AND ALUMINIUM HEMBAR OPTIONS	
RAL7016 ANTHRACITE	STANDARD OPTION
CUSTOM RAL	CUSTOM OPTION



0845 382 2000  
info@aluzion.co.uk  
www.aluzion.co.uk

Product Name

COLLEGE BLIND®

Client

.....

Architect

.....

Drawing Title

CILL FIX GUIDE WIRE BRACKET  
DETAILS

Scale(s) Date

1 : 1 @ A3 30.06.22

Drawn By Checked By Approved By

DK MW

Project Reference Drawing No Rev

CLB 009 00