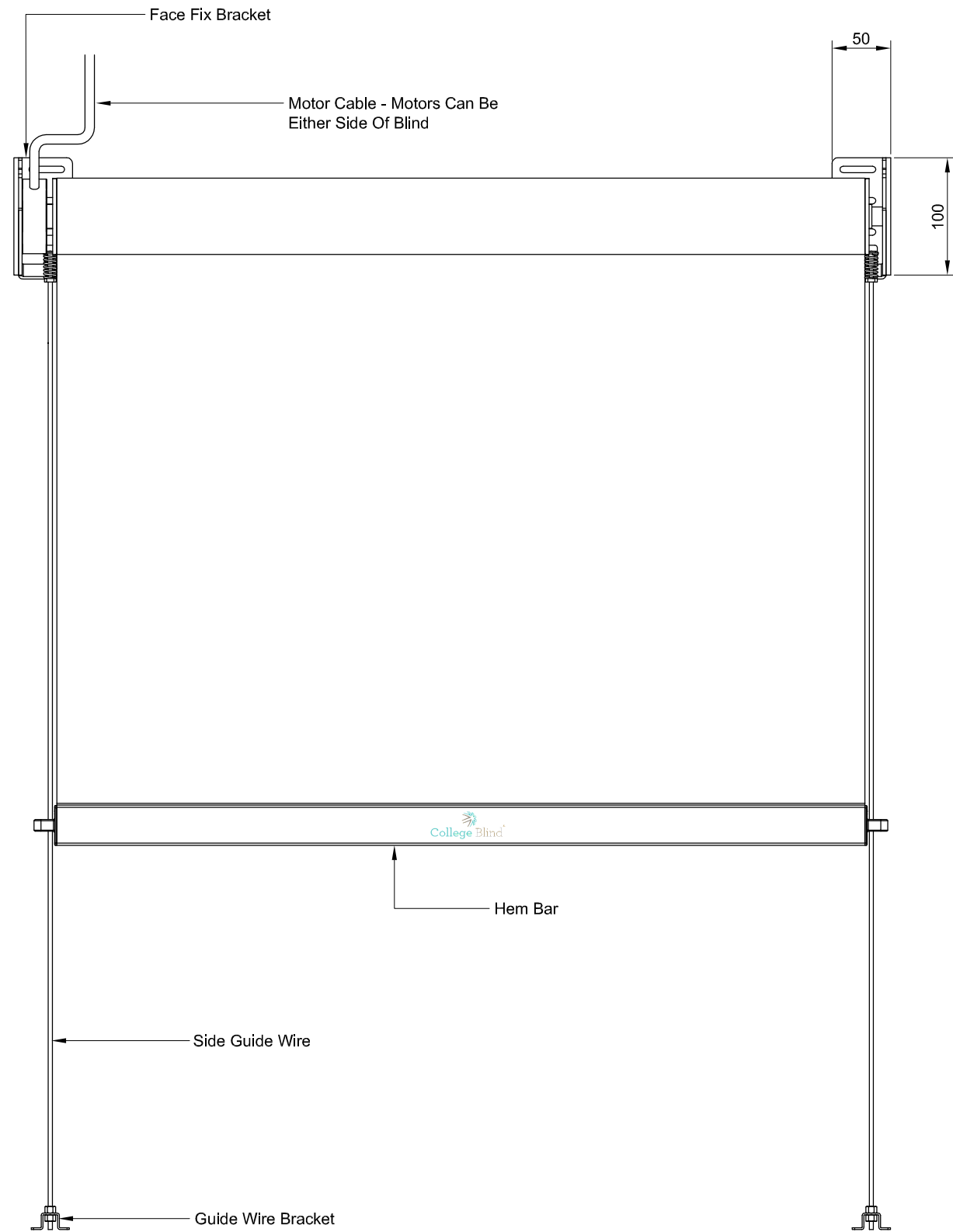
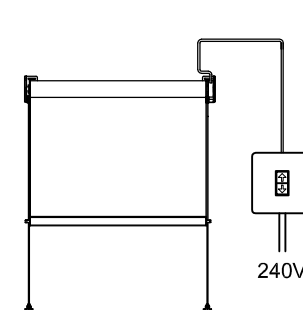


Revision	Description	Date
----------	-------------	------

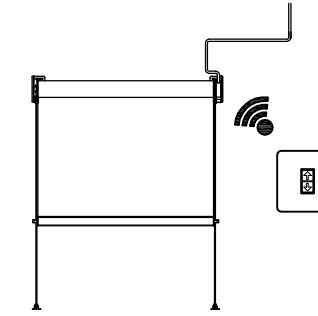
BRACKET AND ALUMINIUM HEMBAR OPTIONS	
RAL7016 ANTHRACITE	STANDARD OPTION
CUSTOM RAL	CUSTOM OPTION



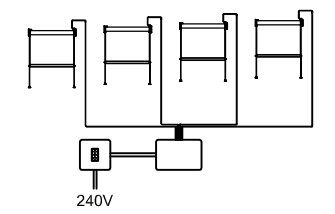
CONTROL OPTIONS



Single Switch



Remote Control



Group Controls



0845 382 2000
info@aluzion.co.uk
www.aluzion.co.uk

Product Name

COLLEGE BLIND®

Client

.....

Architect

.....

Drawing Title

**FRONT ELEVATION - FACE FIX -
MOTORISED OPERATION**

Scale(s) Date

1 : 5 @ A3 30.06.22

Drawn By Checked By Approved By

DK MW

Project Reference Drawing No Rev

CLB 008 00